

FIRE HYDRANT VALVE



FIRE HYDRANT VALVE

Screw/Flange Inlet Pattern According to BS 5041 Part 1



GENERAL DESCRIPTIONS

SUNPOOL provides 65 mm globe pattern hydrant valves with screw inlet or flange connections in different configurations, say bib-nose, oblique, right angle, and horizontal. All hydrants are made in Taiwan and conformed to BS5041-1.

The shut-off of the valve for good water-tight sealing is done by using a high quality rubber bonded seat disc which acts as a primary rubber to metal seal, whilst a secondary metal to metal shut-off is also incorporated in the design of the valve.

The hydrant valve comes complete with standard black plastic blank cap and chain. Brass or gunmetal blank caps are available upon request.

SPECIFICATIONS

Material of Body:	Bronze (BS1400 LG2/C83600)
Material of Hand wheel:	Ductile Iron
Inlet:	2.5" Male BSPT Thread 2.5" and 3" BS4504 PN 16/25 Flange 2.5" and 3" ASME B16.24 #150 and #300 Flange
Outlet:	2.5" Female BS336 Instantaneous 2.5" Guillemin Adapter/DSP Adapter 2.5" Storz Adapter 2.5" Machino Adapter 2.5" Nakajima Adapter 2.5" Female Thread 2.5" Male Thread
Working Pressure:	16 Bar
Testing Pressure (Hydro):	Valve Seat: 16.5 bar Valve Body: 22.5 bar

FEATURES:

- FM approved.
- Made in Taiwan.
- High quality bronze gunmetal that provides great resistance to corrosion.
- Gunmetal or red painting finishing.
- 100% leakage test before shipment.



Strong, Safe, SUNPOOL

Fire Hydrant Valve Flange Inlet UK-A
Fire Hydrant Valve Screw Inlet UK-B



Right Angle



Oblique

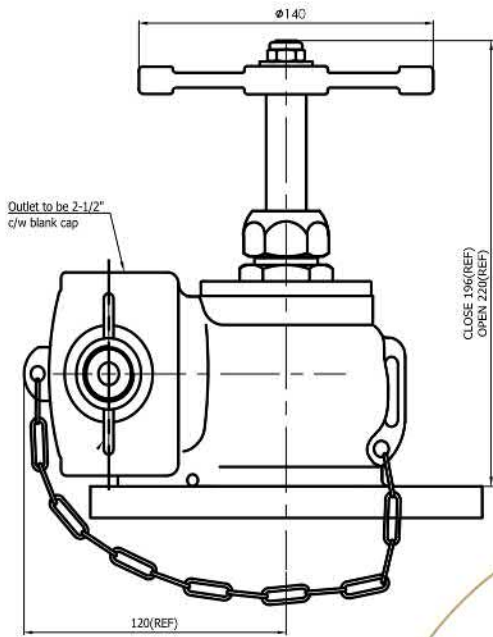


Bib Noze

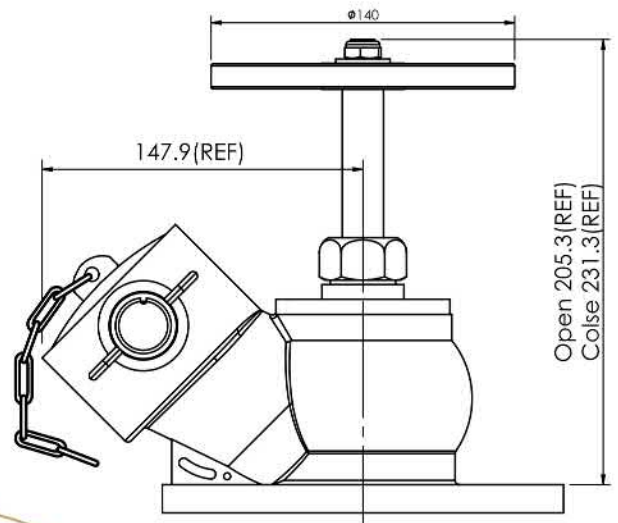


Horizontal

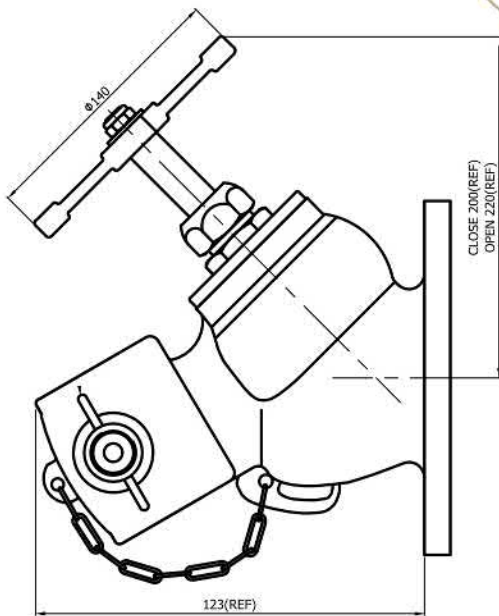
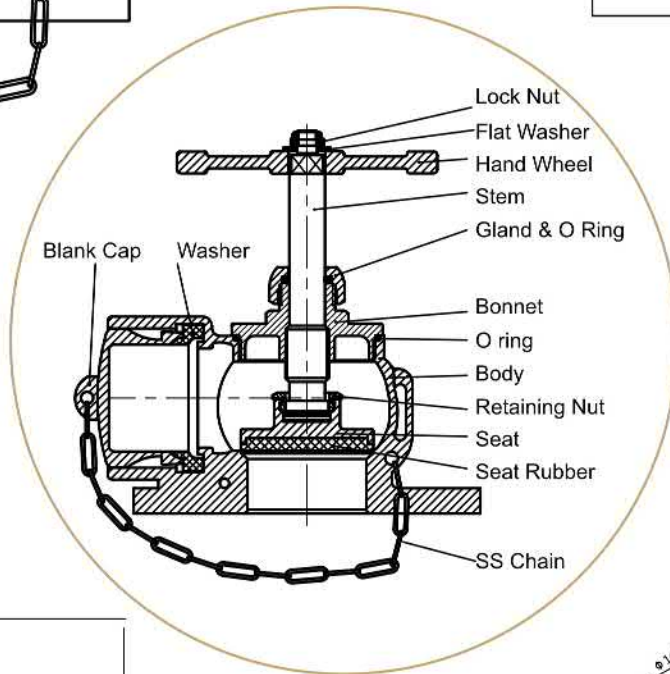
FIRE HYDRANT VALVE FLANGE INLET UK-A



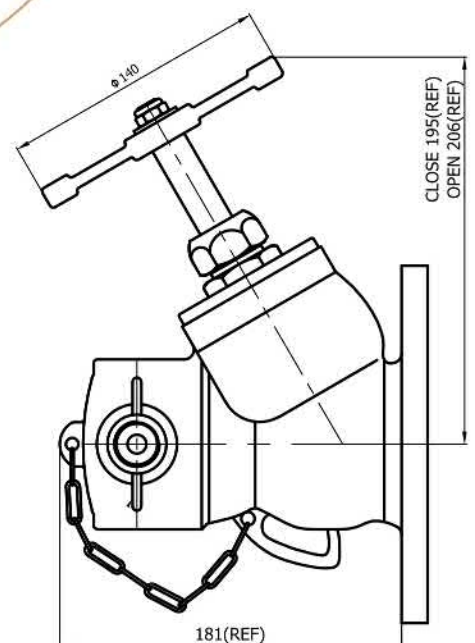
Right Angle



Oblique

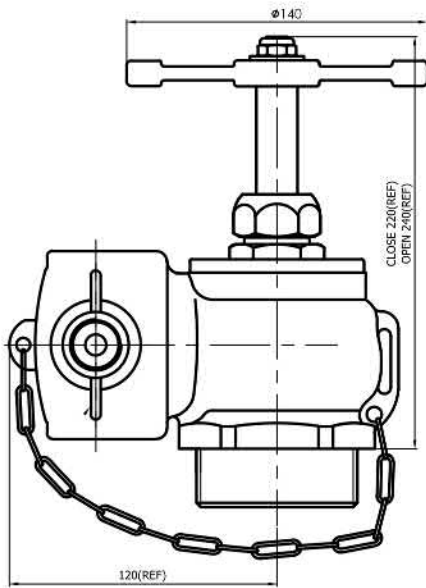


Bib Noze

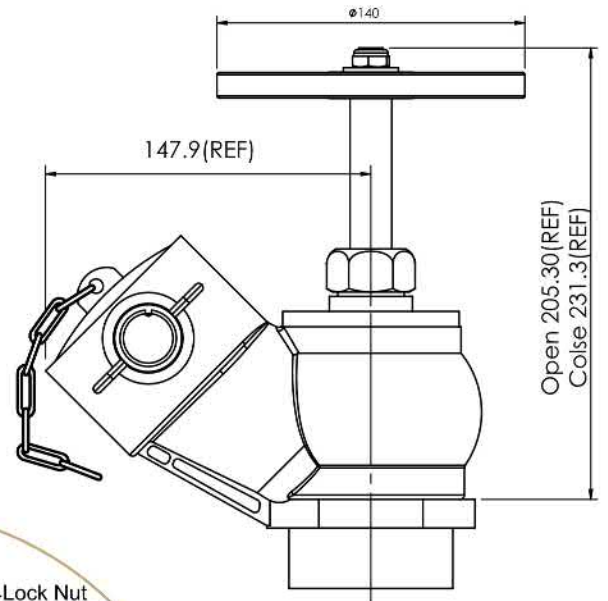


Horizontal

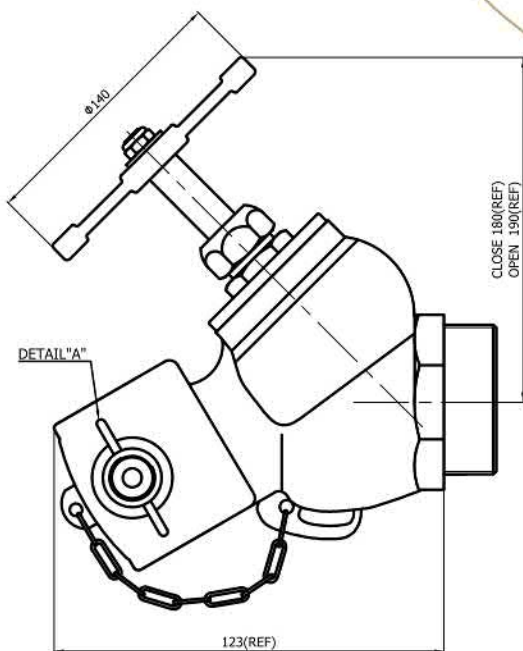
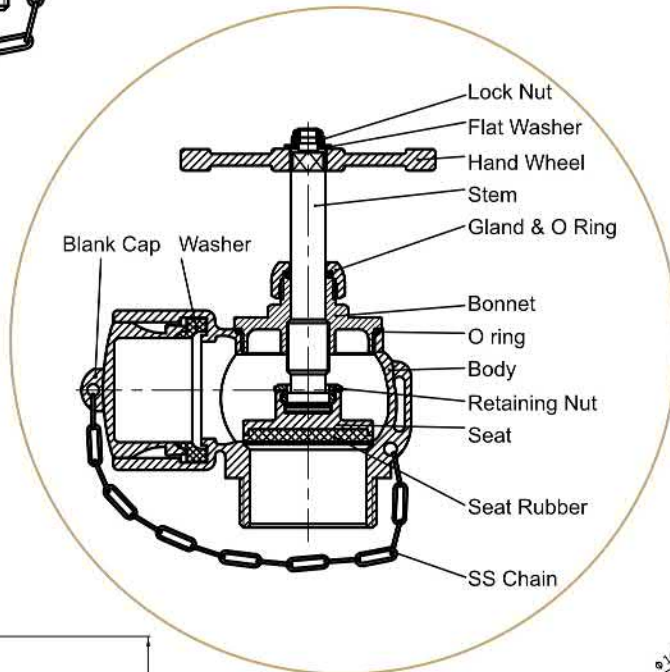
FIRE HYDRANT VALVE FLANGE INLET UK-B



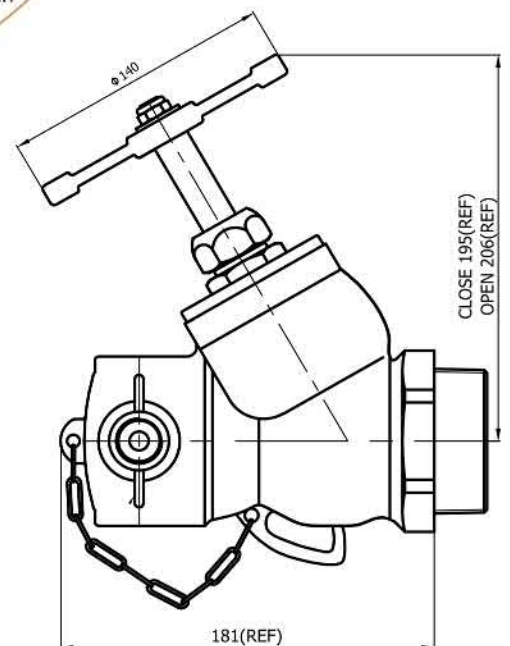
Right Angle



Oblique



Bib Noze



Horizontal